

MicroLinx Series M

Electronic Metering Pump

Advantage *Europe*



Product Manual

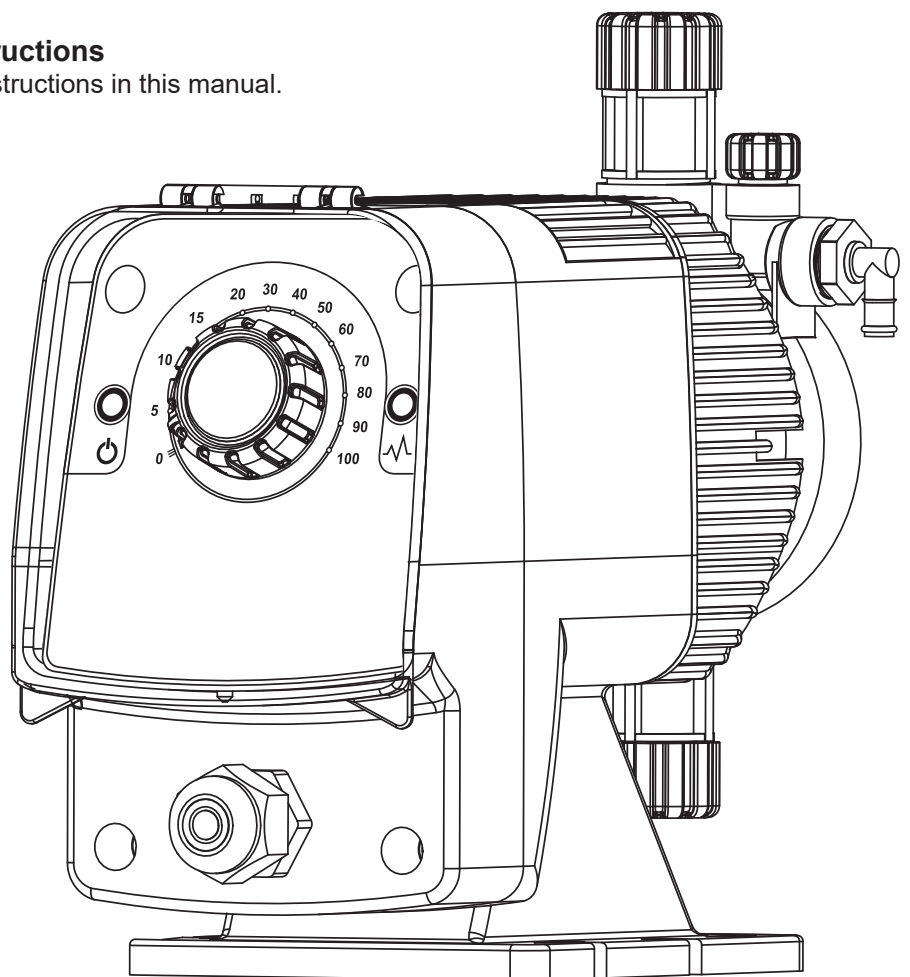


Important Safety Instructions

Read all warnings and instructions in this manual.
Save all instructions.



Intertek



Advantage Europe

www.advantage-eu.com

12/2022

Table of Contents

Introduction 3
Model Numbering..... 3
Unpacking 4
Safety Considerations..... 4
Installation..... 5
Start-Up..... 7
Optional Features 7
External Signal Cable Wiring 8
Liquid End Diagram 9
Replacement Parts 10
Maintenance 11
Trouble Shooting..... 12
Output Curves..... 13

Manufacturer’s Product Warranty

Advantage Controls warrants units of its manufacture to be free of defects in material or workmanship. Liability under this policy extends for 24 months from date of installation. Liability is limited to repair or replacement of any failed equipment or part proven defective in material or workmanship upon manufacturer’s examination. Removal and installation costs are not included under this warranty. Manufacturer’s liability shall never exceed the selling price of equipment or part in question. Advantage disclaims all liability for damage caused by its products by improper installation, maintenance, use or attempts to operate products beyond their intended functionality, intentionally or otherwise, or any unauthorized repair. Advantage is not responsible for damages, injuries or expense incurred through the use of its products.

The above warranty is in lieu of other warranties, either expressed or implied. No agent of ours is authorized to provide any warranty other than the above.

30 Day Billing Memo Policy

Advantage Controls maintains a unique factory exchange program to ensure uninterrupted service with minimum downtime. If your unit malfunctions, call 1-800-743-7431, and provide our technician with Model and Serial Number information. If we are unable to diagnose and solve your problem over the phone, a fully warranted replacement unit will be shipped, usually within 48 hours, on a 30-Day Billing Memo.

This service requires a purchase order and the replacement unit is billed to your regular account for payment. The replacement unit will be billed at current list price for that model less any applicable resale discount. Upon return of your old unit, credit will be issued to your account if the unit is in warranty. If the unit is out of warranty or the damage not covered, a partial credit will be applied based upon a prorated replacement price schedule dependent on the age of the unit. Any exchange covers only the controller or pump. Electrodes, liquid end components and other external accessories are not covered.

Introduction

This manual covers all facets of operation of the Advantage MicroLinx pump, including unpacking, mounting, electrical and plumbing connection, and start-up. Safety, maintenance and repair, warranty, and factory information is also provided. Please read this manual completely before proceeding. Observe safety protocols and heed all warnings and precautions.

Model Numbering

MicroLinx Series M pump model numbers define the output, pressure and control functions present on a particular pump. Your pump may be supplied with one or more of the options described in this manual. To determine what features apply to your pump, check the model number label located on the pump.

Model Number Example

M 30 X 1 – K E C 1

Output

05	=	0,8 L/h at 20.6 bar
12	=	1,9 L/h at 17.2 bar
15	=	2,4 L/h at 10.3 bar
30	=	4,7 L/h at 6.8 bar
45	=	7,1 L/h at 5.1 bar

Control

X	=	Standard speed adjustment
E	=	External auto-stop

Voltage

1	=	120 vac, USA plug and agency approvals
2	=	120-220 vac, no plug

Pump Head Material

K	=	Kynar	D	=	Kynar degassing head
S	=	316 Stainless			

Seat Material

V	=	Viton
F	=	Teflon
H	=	Hypalon

Check Ball

C	=	Ceramic
S	=	Stainless

Tubing Connections

1	=	3/8" tubing rated to 200 PSI (13.7 bar)
2	=	1/4" tubing rated to 300 PSI (20.6 bar)
4	=	1/4" black UV tubing rated to 300 PSI (20.6 bar)
R	=	1/4" FNPT
U	=	3/8" black UV tubing rated to 200 PSI (13.7 bar)
V	=	3/8" tubing rated to 200 PSI(13.7 bar) with clear suction

NOTES: This list represents our most popular options. If you have an option not covered, contact the factory or your dealer for more details.

Unpacking

The MicroLinx pump has been shipped as a complete package, ready for installation. If the shipping carton shows any signs of damage, notify the shipping company immediately upon receipt. Advantage Controls cannot be held responsible for damage from shipping.

Unpack the carton and insure the following items are present:

1. Metering pump
2. Suction, discharge and priming tubing
3. Foot valve and weight
4. Injection fitting
5. Instruction manual

Safety Considerations



Installation Location

Select a mounting location convenient to the chemical supply and power for the pump that will not flood. The ambient temperature should not exceed 120 degrees F (50°C). Higher temperatures will affect the output and life of the pump. Do not use the standard poly tubing in direct sunlight.

Liquid Compatibility

Always refer to the solution supplier for compatibility of your specific model metering pump. Contact your supplier or local Advantage Controls distributor for further information.

Protective Clothing

Always wear protective clothing, face shield, safety glasses and gloves when working on or near a metering pump. Refer to solution's SDS precautions from your solution supplier.

Water Pre-Prime and Testing

All pumps are pre-primed with water when shipped from the factory and some water may be present. All UL electrical safety evaluations performed with water only.

Tubing and Piping Connections

Pumps use carefully matched components to achieve a predictable metering output. This can only be maintained if all fitting sizes remain unaltered. All tubing connections should be hand-tightened 1/8 - 1/4 turn after the fitting is snug to provide a leak-proof seal. Most pumps have straight threads on the head and fittings and are sealed by the O-rings. Excessive overtightening or use of a pipe wrench can cause damage to the fittings, seals, or pump head. DO NOT use PTFE tape or pipe dope to seal threads. PTFE tape may only be used on the 1/2" NPT thread side of the Injection Check Valve and the stainless-steel liquid end connections.

Discharge Tubing Length

There is an approximate 2.5 psi capability lost for every 1 foot of vertical rise of the discharge tubing to the injection point. It is recommended that all discharge tubing be shielded to prevent possible injury in case of rupture or accidental damage. If tubing is exposed to sunlight, black UV resistant tubing should be installed. Check tubing frequently for cracks and replace as necessary.

Clear Vinyl Tubing

Pump may come with a roll of clear flexible vinyl tubing; it is not intended for pressurized use. It is only for connection to suction and prime return lines of the pump head and must not be used as discharge tubing.

Plumbing

Always adhere to your local plumbing codes and requirements. Check local plumbing codes for guidelines. Advantage Controls is not responsible for improper installations. If you are pumping downhill or into low or no system pressure, a back pressure/anti-syphon device such as Advantage's Three Function Valve should be installed to prevent over pumping or syphoning. Contact your Advantage Pump representative.

Retightening Components

Plastic materials may exhibit creep characteristics when under pressure over time. To insure a proper fit it may be necessary to retighten the head bolts and tubing connections periodically.

Electrical Connections

To reduce the risk of electrical shock, the metering pump must be plugged into a properly grounded, grounding-type receptacle with ratings conforming to the data on the pump control panel. The pump must be connected to a good ground. **DO NOT USE ADAPTERS!** All wiring must conform to local electrical codes.

Ground Fault Circuit Interrupter

To reduce the risk of electric shock, install only on a circuit protected by a Ground Fault Circuit Interrupter (GFCI).

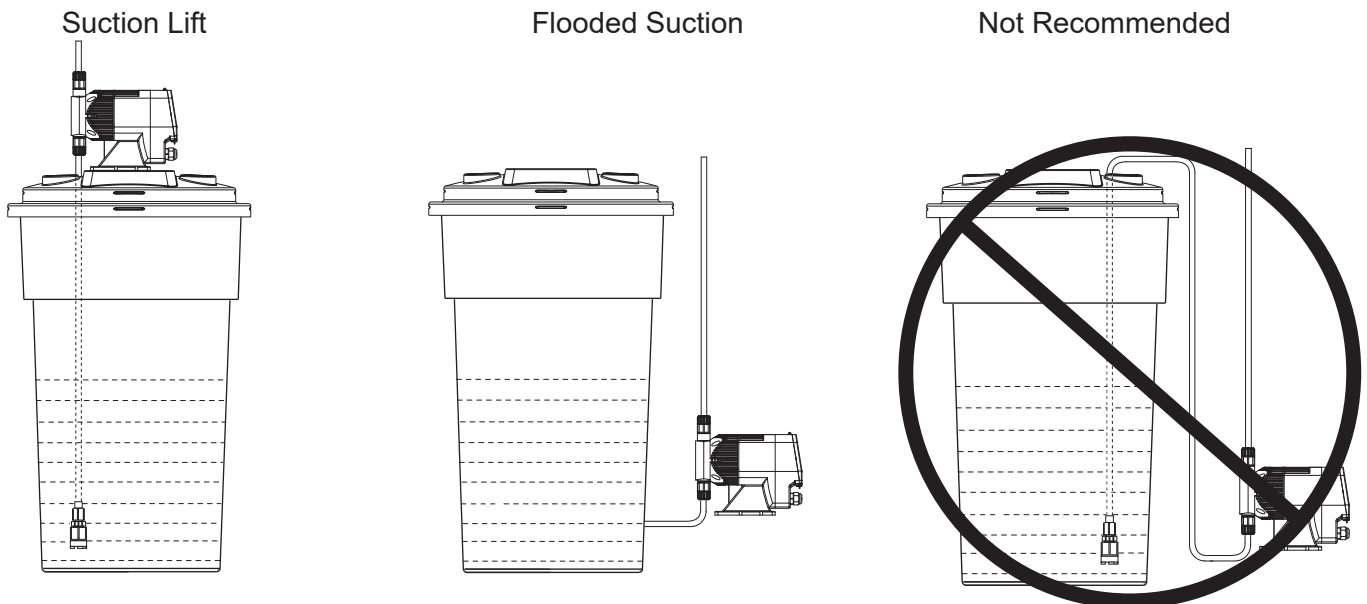
Installation

Suction Lift Installation

Mount the pump around the top of the solution tank, not to exceed 5 feet from pump to bottom of tank.

Flooded Suction

This installation is recommended for very low outputs, solutions that gasify and/or high viscosity solutions. Priming is easier and loss of prime is reduced. Failure of the pump diaphragm or rupture of the solution tubing can cause loss of solution in the tank.



Wall Mounting

The fluid end portion (head assembly) of the pump is set up to accommodate mounting of the pump to the solution container, either as a flooded suction, or a suction lift. The pump head must be kept in a vertical position for proper operation. The head can be removed and rotated 90° if needed to keep the inlet and outlet valves in a vertical position.

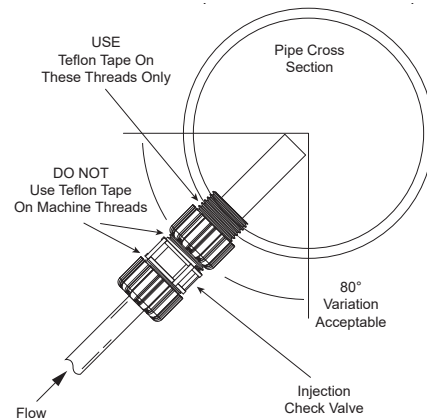
Foot Valve Installation

A weight is provided to hold the tubing and foot valve in a vertical position at the bottom of the tank. **Do not allow the foot valve to lay horizontally in the container.** This defeats the action of the valve and causes the pump to lose prime. Keep suction tubing reasonably short and avoid high spots or bends.

Injection Valve Installation

The injection valve is designed to prevent a back flow and to inject into the line. To work properly, this valve must be mounted within 45° of vertical (see drawing). One end of the injection valve is 1/2" MNPT. Install this end into the piping system. Connect the pump's discharge tubing to the opposite end of the injector.

When installation is made into a line with zero pressure or when pumping into an open vessel, use the optional three function injection valve which provides back pressure and anti-syphon capabilities.



Optional Three Function Valve

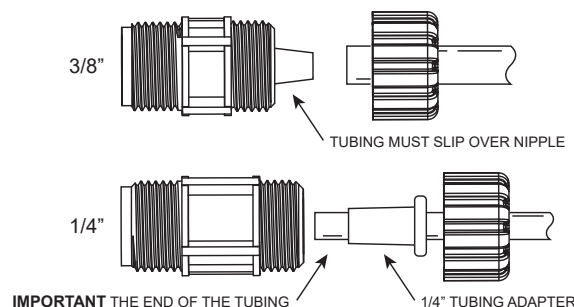
The optional 3-function injection valve assembly provides anti-siphoning for metering of liquids “downhill” or into the suction side of a circulating pump. It provides protection against an accidental application of suction pressure at the fluid injection point. Its Teflon coated diaphragm provides a positive anti-siphon action. It also provides back pressure to permit metering into atmospheric discharge (open container) without overpumping.

Priming Valve Connection

Connect the clear poly tubing to the outlet of the bleed or priming valve. Position the free end of this tube in the solution container. Standard head configurations include a priming valve built into the head. Clear poly tubing should be connected to the outlet of this valve, the other end of the tube should be placed in the container above the fluid level.

Tubing Nut Connections

Do not overtighten the tubing connectors. Tighten the fittings no more than 1/4 turn after the fitting contacts the seal. Hand tighten only. **Do not use a wrench or pliers** as they may damage the fittings. Do not use Teflon tape except on NPT fittings. **WARNING: Clear flexible tubing is not intended for pressurized use.**



Start-Up

Priming the Pump

Plug in pump, set stroke to 100% and strokes per minute to maximum speed. While pump is operating, if fluid begins moving, no further priming is required. If fluid is not moving, open bleed valve approximately one turn until fluid begins to move. When suction line fills, close bleed valve. Do not over tighten bleed valve. Damage may occur.

Adjusting Feed Rate

The standard Model M allows for the exact setting of the pumps stroking rate (speed) on the pump's control panel. Standard strokes per minute settings available are: 0-200 strokes per minute.

Calculating Output

A pump's output per minute can be determined by dividing the maximum rated gallons per day by 1440 (minutes per day). For example, a 30 gallons per day (gpd) pump at a maximum speed setting of 200 strokes per minute (spm) will pump 0.000104 gallons per stroke (gps).

$$30 \div 1440 = 0.0208 \text{ gpm} \div 200 \text{ spm} = 0.000104$$

With this value and the pump's speed setting (strokes per minute) you can calculate your pump's output at it's rated pressure. A 30 gpd pump set at 50 strokes per minute:

$$50\text{spm} \times .000104\text{gps} \times 1440 \text{ (minutes per day)} = 7.49 \text{ gallons per day}$$

Note: Output curves are listed at the back of this manual.

Optional Features

External Auto-Stop

Pumps with this option are allowed to stroke as long as they see a closed condition from a dry contact source like a flow switch or drum level wand. When an open condition is seen the pump is not allowed to stroke.

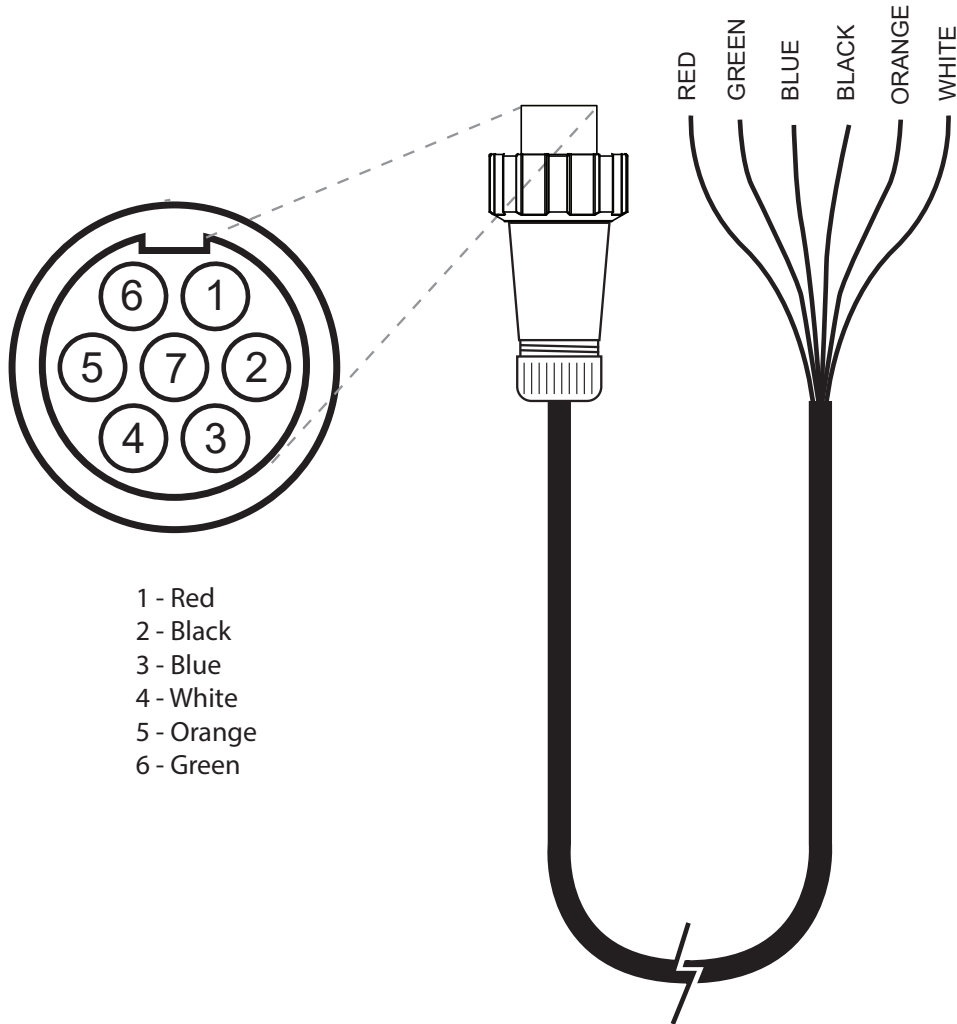
Degassing Head

Pumps with the PVDF degassing head option have a different priming valve that includes a check ball and viton seat. This valve constantly allows any air trapped in the head to vent out of the priming return tubing to the tank. A small amount of of the pump's total output may be lost back to the tank.

No adjustment to the degass valve is typically needed but a half turn counter clockwise will vent the head and allow for a fast prime if needed. The degassing valve must then be reseated but not over tightened for proper operations.

External Signal Cable Wiring

MLCABLE-7P6-4



MicroLinx Pump Connections

- 1 - Red = Auto stop
- 2 - Black = Auto stop / common
- 3 - Blue = Not used
- 4 - White = Not used
- 5 - Orange = Not used
- 6 - Green = Not used

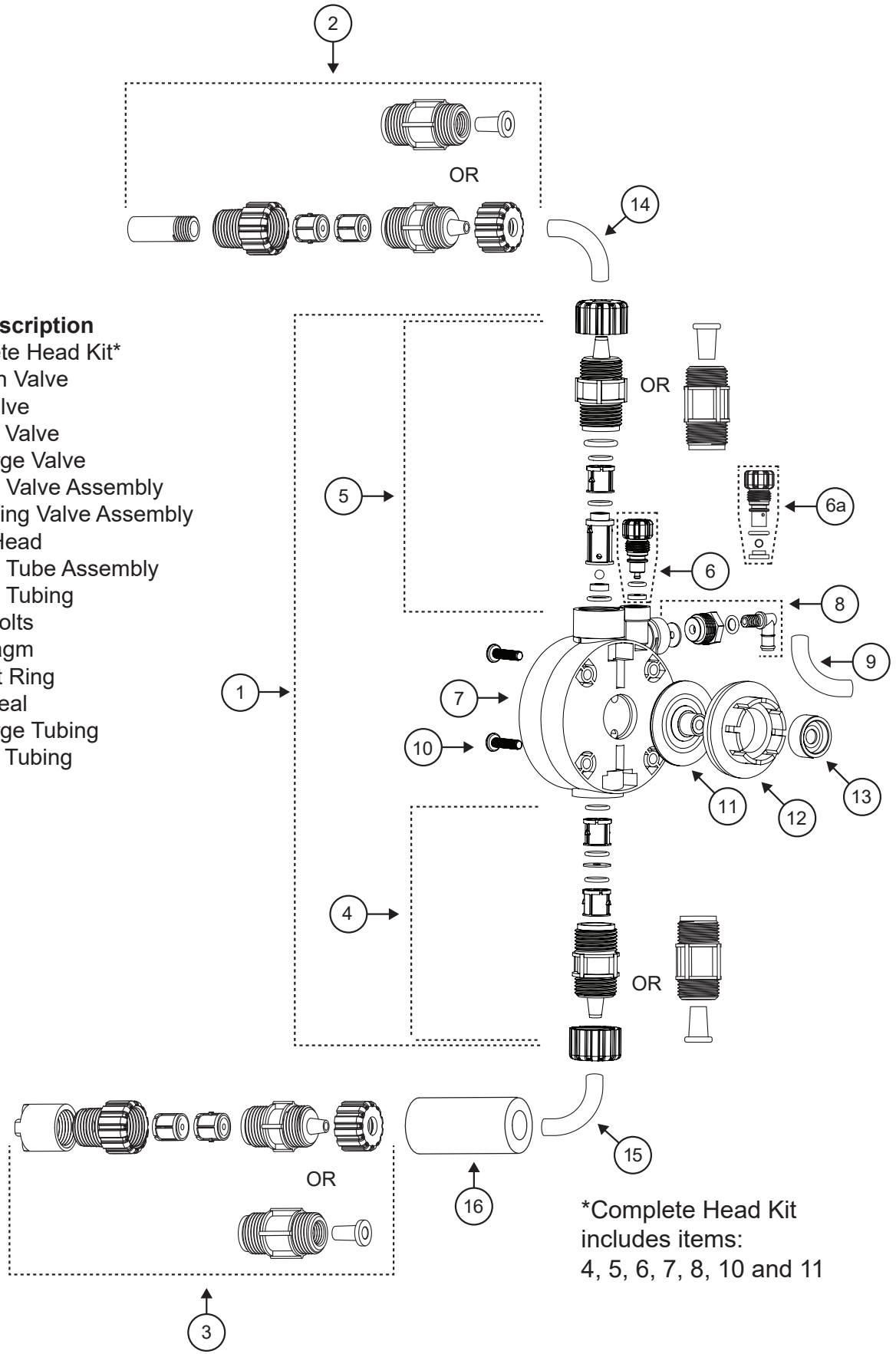
Input Specifications

Auto stop - From open collector/open drain output or dry contact. Input has 499 Ω pullup to 5 VDC through an optical isolator.

Note: The MLCABLE-7P6-4 is only provided on pumps with the external auto-stop option. If a pump was not ordered with this option it will not have the connection for the cable.

PVDF Liquid End Diagram

- | Item | Description |
|------|--------------------------|
| 1 | Complete Head Kit* |
| 2 | Injection Valve |
| 3 | Foot Valve |
| 4 | Suction Valve |
| 5 | Discharge Valve |
| 6 | Priming Valve Assembly |
| 6a | Degassing Valve Assembly |
| 7 | Pump Head |
| 8 | Priming Tube Assembly |
| 9 | Priming Tubing |
| 10 | Head Bolts |
| 11 | Diaphragm |
| 12 | Support Ring |
| 13 | Shaft Seal |
| 14 | Discharge Tubing |
| 15 | Suction Tubing |
| 16 | Weight |



*Complete Head Kit includes items:
4, 5, 6, 7, 8, 10 and 11

Replacement Parts

Getting the right materials of construction for your spare parts is easy. Using positions 6-9 of the pump model number, example: M30X1-**KFCV**. Find the assembly needed and add the codes of your pump's liquid end after the standard prefix part number for the assembly.

NOTES:

1. Complete head assemblies use positions 2 and 3 of the pump model number plus 6-9 to identify the correct part number. Example M**30**X1-**KFCV** uses a CHL-30-KFCV.
2. Stainless steel heads liquid end is always SFSP and the head kit is CHL-___ - SFSP.
3. Stainless steel heads suction and discharge valve part # is **R00325**.

Part Assemblies

Item	Description	Part Number
1.....	Complete Head Assembly.....	CHL- ___ - ___

Body	Seat	Ball	Connection	
D — PVDF/Degas	V — Viton	C — Ceramic	1 — 3/8" tube	R — 1/4" FNPT
K — PVDF	F — Teflon	S — Stainless	2 — 1/4" tube	U — 3/8" tube
S — Stainless Steel	H — Hypalon		P — 1/4" MNPT	V — 3/8" tube
			SS head only.	

.....	All PVDF Assemblies	
2.....	Injection Valve Assembly	INJ-L- K ___
	3-Function Injection Valve.....	3FV- K ___
3.....	Foot Valve Assembly.....	FTV-L- K ___
4.....	Suction Valve Assembly.....	SUC-L- K ___
5.....	Discharge Valve Assembly.....	DIS-L- K ___
6.....	Priming Valve Assembly.....	PRI-L- K F ___
6a.....	Degas Valve Assembly.....	DGS-L- K V ___
8.....	Priming Tube Assembly.....	PRT-L- K ___

Seat	Ball	Connection
V — Viton	C — Ceramic	1 — for all 3/8" tubing
F — Teflon		2 — for all 1/4" tubing
H — Hypalon		R — for 1/4" FNPT

Single Parts

9.....	Priming Tubing	R00255
14.....	Discharge Tubing 3/8" PE	R00122
	Discharge Tubing 1/4" PE	R00267
15.....	Suction Tubing 3/8" Clear	R00255
	Suction Tubing 3/8" PE	R00122
	Suction Tubing 1/4" PE	R00097
16.....	Tubing Weight	R00139

Maintenance

The Advantage pump is designed for long service life with minimum maintenance. If for any reason, maintenance is necessary or desirable, the pump is easily maintained.

Before any maintenance or service is performed, observe the following precautions:

1. Disconnect the pump from power source.
2. Drain chemical from discharge tubing.
3. Disconnect discharge tubing from pump.
4. If the pump is used in a flooded suction application, remove foot valve from solution container.
5. Observe relevant safety protocols when handling parts which have been in contact with hazardous chemicals.

Diaphragm Replacement

1. Remove fluid end cover by lightly prying it loose from the fluid end.
2. Remove the four screws attaching the fluid end to pump body.
3. Remove the fluid end from the pump body.
4. Unscrew the diaphragm from the pump shaft in a counter-clockwise direction. Be careful that diaphragm support ring does not fall out.
5. Do not allow sharp or abrasive objects to come in contact with pump parts.
6. Inspect end of shaft to assure that threads are in good condition. Replace shaft bellows if necessary. No further disassembly is recommended.
7. Screw new diaphragm onto pump shaft until it bottoms out on shoulder of shaft. It is not necessary to tighten further.
8. Replace fluid end. Make sure that screws are evenly tightened.
9. Reconnect plumbing and power. Prime the pump.

Suction and Discharge Check Valve Replacement

1. Disconnect suction tubing from pump.
2. Unscrew fitting from pump head.
3. Remove check valve from suction fitting and replace.
4. Remove O-ring from cavity in fluid end.
5. Remove check valve from suction side pump and replace.
6. Install new O-ring in cavity of fluid end.
7. Replace valve fitting with check valve in fluid end.
8. Replace fluid end. Make sure that screws are evenly tightened.
9. Reconnect plumbing and power. Prime the pump.

- NOTES:**
1. Tighten pump head screws after pump's initial week of operation.
 2. When installing check valves, remember that the seats are always installed at the bottom.

Trouble Shooting

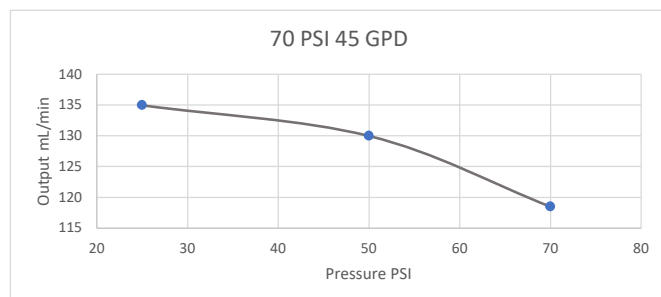
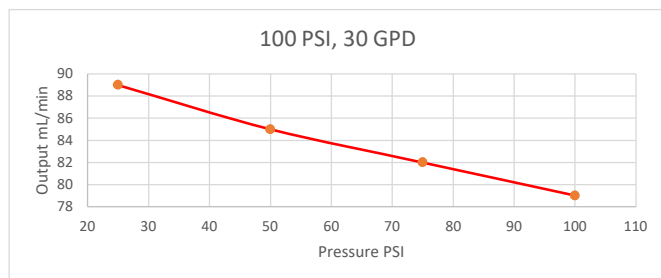
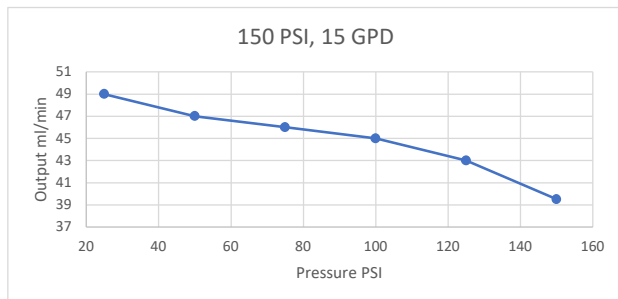
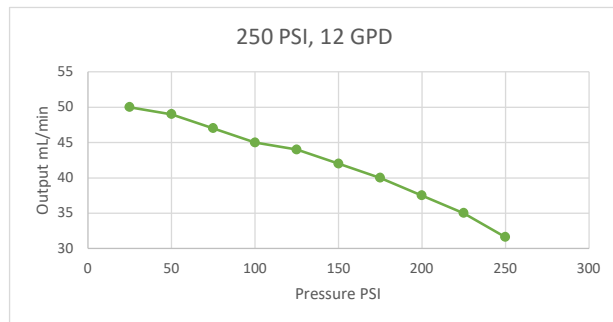
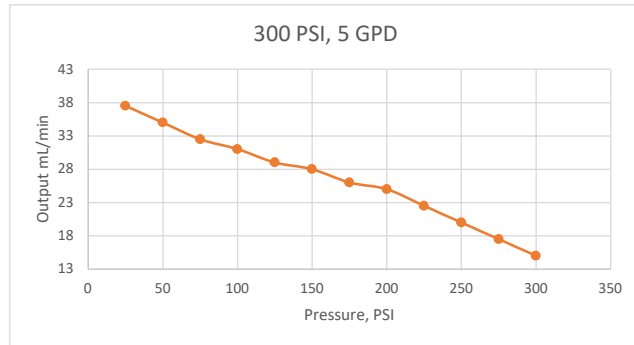
PROBLEM	CAUSE	REMEDY
Pump does not achieve or maintain prime	Air trapped in suction line	Straighten suction line so as to eliminate high spots.
	Foot valve contaminated or improperly installed	Inspect foot valve screen and assure that foot valve is in a vertical position below fluid level.
	Excessive lift	Maximum suction lift is 5 feet with water or fluids of similar specific gravity; less with heavier liquids such as acids. Mount pump in a lower position relative to the solution container.
	Suction fittings not properly tightened	Check fittings. Overtightening may cause restriction. Conversely, if any leakage occurs, pump will suck air and fail to prime.
	Worn or contaminated check valves	Inspect check valves in fluid end for cleanliness. Clean or replace as necessary.
	Split or pinch in suction tube	Inspect suction tube through its full length to assure that there are no splits at the connections or other restrictions. Move any objects or equipment which impinges upon suction tube or reroute as required to assure a smooth transition from foot valve to pump.
	Low chemical level	Check fluid level in chemical supply tank.
Excessive fluid	Failure or lack of antisiphon valve	Inspect or add anti-siphon valve. This is caused when system is in a vacuum condition or valve in delivery applications with flooded suction which feeds systems at very low pressures.
	Excessive stroke rate	Lower the stroke rate if adjustable on your pump.
	Improper stroke length	Reduce stroke length.
Pump will not pump	System pressure too high	Check system pressure to assure that it is within system rated parameters of the pressure.
	Diaphragm improperly installed	Make sure that diaphragm is screwed fully unto shaft.
	Check valves worn or clogged	Clean or replace as required.

Output Curves

MicroLinx outputs are rated based on pumping against the maximum PSI for the particular model.

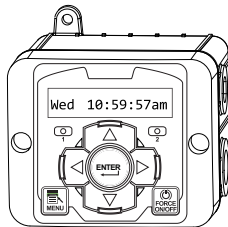
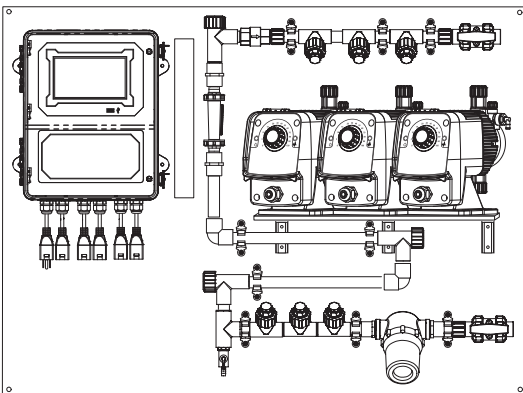
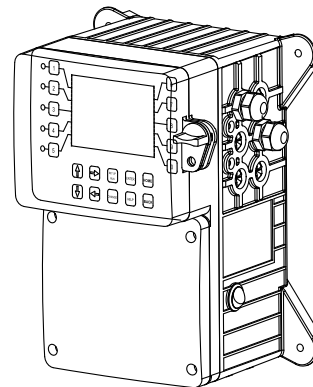
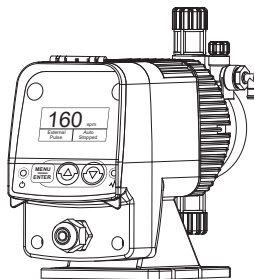
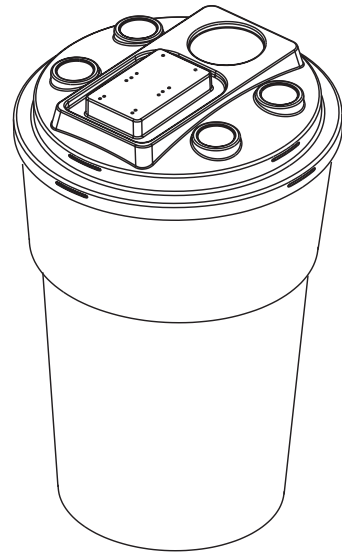
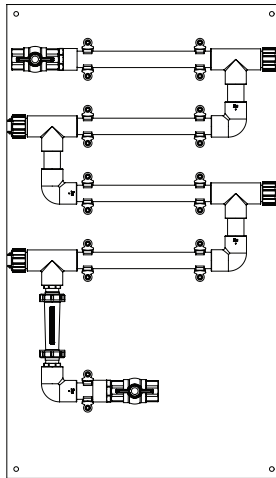
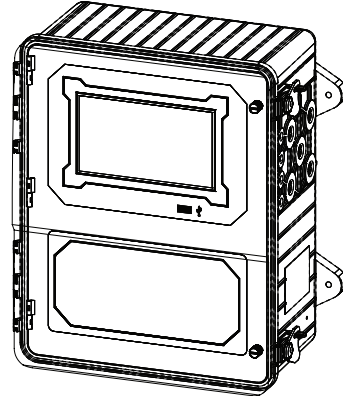
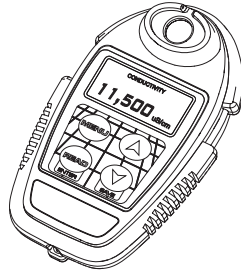
If it is not pumping against the maximum pressure it is rated for it will be able to pump at greater volumes.

The output curves provide an estimated output of each model when pumping at lower pressures.



Get the Advantage in Water Treatment Equipment

- Cooling Tower Controllers
- Boiler Blow Down Controllers
- Blow Down Valve Packages
- Bleed Valves
- Water Meters
- Metering Pumps
- Corrosion Coupon Racks
- Solution Tanks
- Solid Feed Systems
- Bypass Feeders
- Filter Equipment
- Glycol Feed Systems
- Pre-Fabricated Systems



Get the Advantage

Europe
Advantage

Advantage
Pumps